

PRODUCT COMPATIBILITY

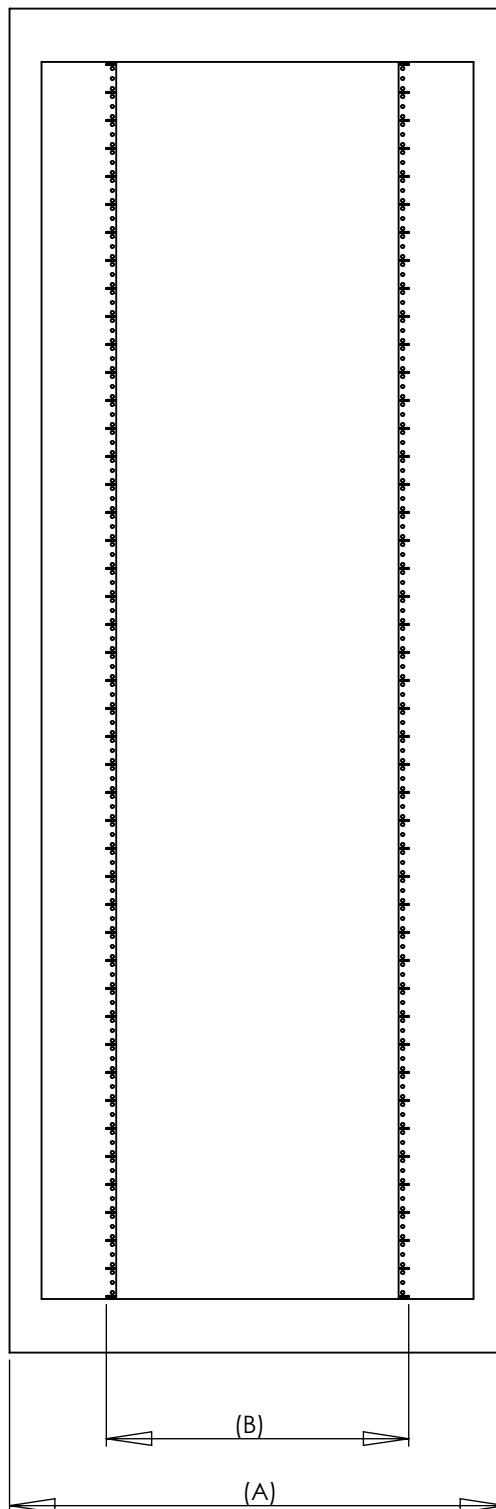
PRODUCT COMPATIBILITY TABLE								
Cabinet Width (A)	Equipment Opening (B)	301061743 CCM ETSI	301054482 CCM Narrow	301052296 CCM STD A	301054474 CCM STD B (NOTE 1)	301058731 CCM STD C	301078703 CCM STD D	301054490 CCM WIDE A
27	19	YES	NO	NO	NO	NO	NO	NO
28	19	YES	YES	NO	NO	NO	NO	NO
31/32	19	YES	YES	YES	YES	YES	YES	NO
35/36	19	YES	YES	YES	YES	YES	YES	YES
31	23	YES	NO	NO	NO	NO	NO	NO
32	23	YES	YES	NO	NO	NO	NO	NO
35/36	23	YES	YES	YES	YES	YES	YES	NO

**DIMENSIONS IN INCHES*

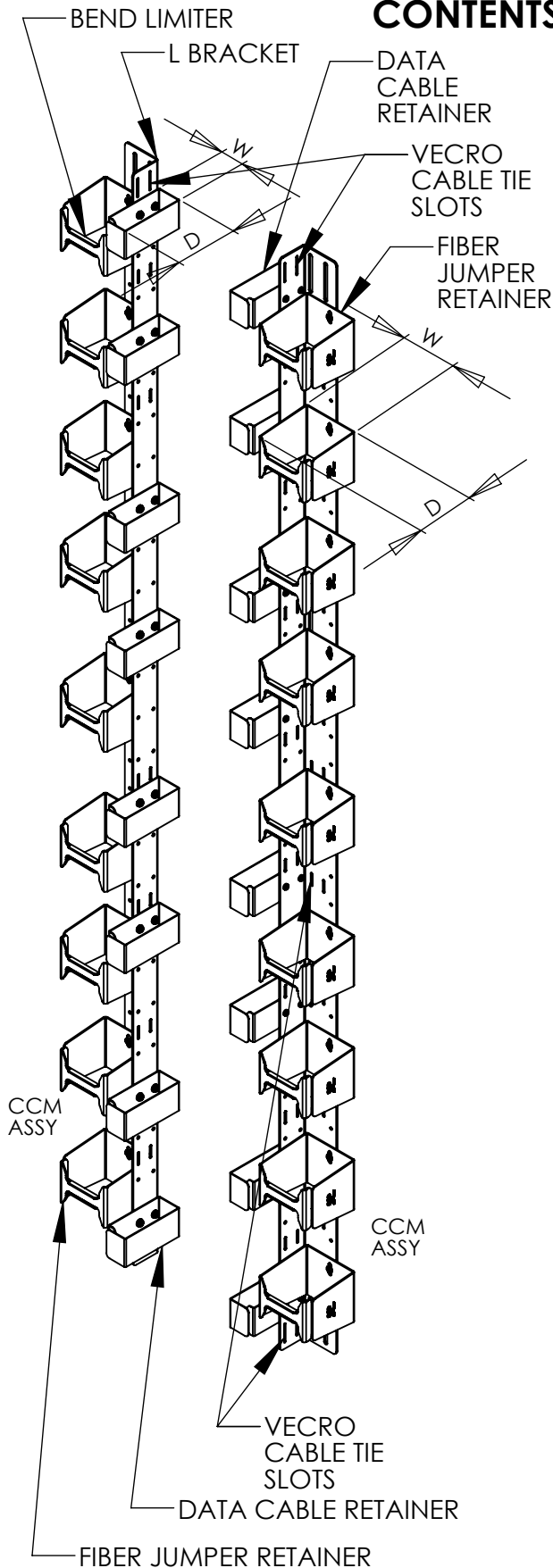
NOTES:

- 1. THIS CHOICE IS FOR SPECIFIC APPLICATIONS WITH LARGE CAT 5/6 DEMAND.**
- 2. THE PRODUCT COMPATIBILITY TABLE INDICATES WHICH CCM WILL FIT INTO WHICH ELECTRONIC CABINET(S).**
- 3. SEE PAGE THREE AND FOUR FOR CAPACITY, WIDTH, AND OVERALL DEPTH OF DATA & FIBER RETAINERS**

FRONT VIEW OF ELECTRONIC CABINET



CONTENTS OF CCM ASSEMBLY



STOCKLIST FOR CABINET CABLE MANAGEMENT ASSEMBLIES

ITEM	QUANTITY							DESCRIPTION
	301061743 CCM ETSI	301054482 CCM 27-28 NARROW	301052296 CCM 31-32 STD A	301054474 CCM 31-32 STD B	301058731 CCM 31-32 STD C	301079703 CCM STD D	301054490 CCM WIDE A	
1			16					RETAINER, DATA CABLE, 4.50 X 1.70", CCM
2			18	18	18			RETAINER, FIBER JUMPER, 4.00 X 4.00", CCM
3		2	2	2	2		2	BRACKET, L, CCM
4	18	18	18	18	18		18	BEND LIMITER, FIBER RETAINER, LONG
5							18	BEND LIMITER, FIBER RETAINER, SHORT
6	1	1	1	1	1	1	1	INSTRUCTION SHEET
7				16				RETAINER, DATA CABLE, 4.7 X 4.8", CCM
8								
9	8	8	8	8	8	8	8	1/4-20 UNISTRUT CHANNEL NUT W/ SPRING
10								
11	18							CLIP, DATA CABLE, ETSI CCM
12	36	36	36	36	36	36	36	12-24 X 1/4 PH PHILLIPS SCREW
13	32	32	32	32	32	32	32	10-32 X 5/16 PH PHILLIPS SCREW
14	8	8	8	8	8	8	8	SAE 1/4" FLT WSHR .625" X .281"ID
15	8	8	8	8	8	8	8	1/4-20 X 5/8" HEX HEAD SCREW
16	18							RETAINER, FIBER JUMPER, CCM
17		16						RETAINER, DATA CABLE, 3.00 X 1.50", CCM
18		18						RETAINER, FIBER JUMPER, 2.50 X 5.00", CCM
19	2							BRACKET, L, ETSI CCM
20					16			RETAINER, DATA CABLE, 4.00 X 3.00", CCM
21						16		RETAINER, DATA CABLE, 4.50 X 1.70", CCM
22						18		RETAINER, FIBER JUMPER, 3.90 X 2.51", CCM
23						2		BRACKET, L, CCM, STD D
24							18	RETAINER, FIBER JUMPER, 5.50 X 4.00", CCM
25							16	RETAINER, DATA CABLE, 6.00 X 1.70", CCM

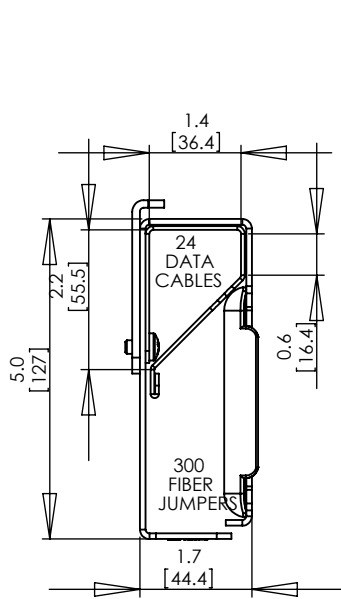
NOTE: ALL RETAINER DIMENSIONS ARE IN INCHES AND SHOWN AS WIDTH (W) X DEPTH (D). ALSO SEE PAGE THREE AND FOUR.

1. THE CABINET CABLE MANAGEMENT (CCM) ASSEMBLY IS PROVIDED READY TO INSTALL INTO CABINETS WITH (8) HORIZONTAL UNISTRUT MOUNTING CHANNELS, 4 PER SIDE WALL.

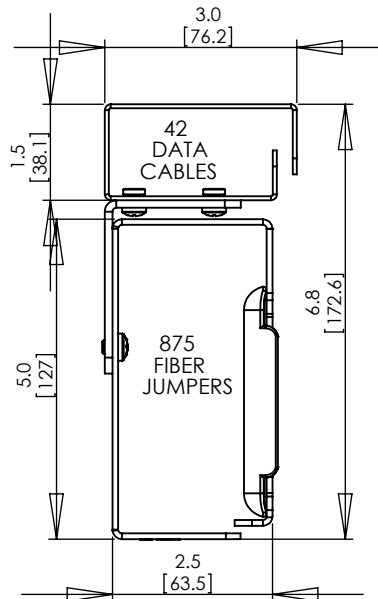
2. WHEN THE CCM IS ORDERED A LEFT AND RIGHT CCM ASSEMBLY IS PROVIDED. THE RIGHT AND LEFT CCM ASSEMBLIES ARE IDENTICAL.

3. IF THE CCM IS INSTALLED INTO CABINETS WITH (6) HORIZONTAL UNISTRUT MOUNTING CHANNELS (3 PER SIDE WALL) AND LOCAL PRACTICE REQUIRES FASTENING TO THE MIDDLE UNISTRUT CHANNELS, THEN SEE PAGE SIX.

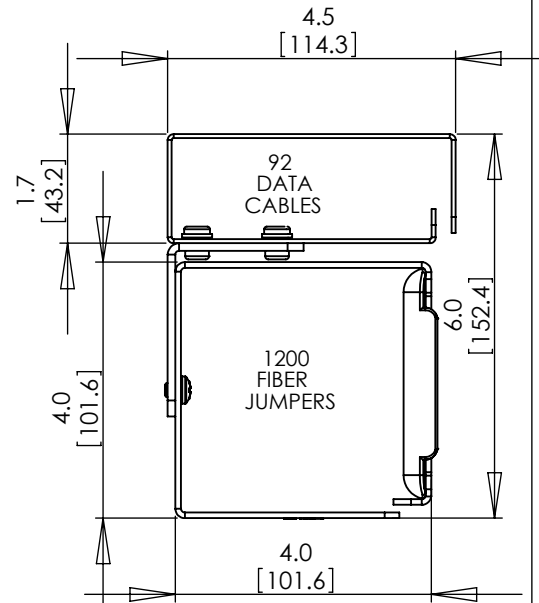
TOP VIEWS OF CCM ASSEMBLIES SHOWING SIZE AND MAX CABLE CAPACITY



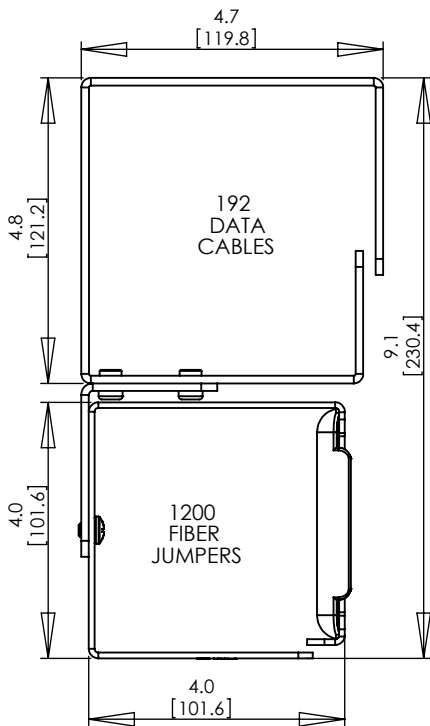
301061743
CCM, ETSI



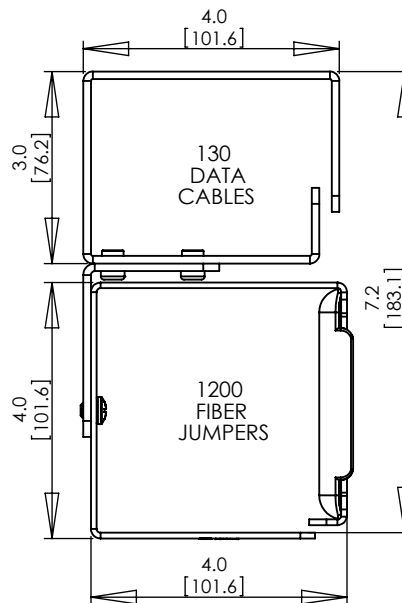
301054482
CCM, NARROW



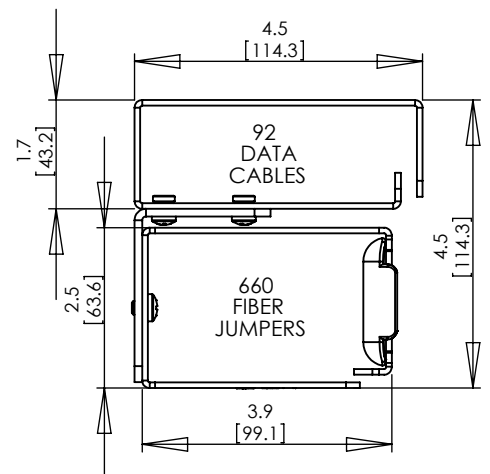
301052296
CCM, STD A



301054474
CCM, STD B



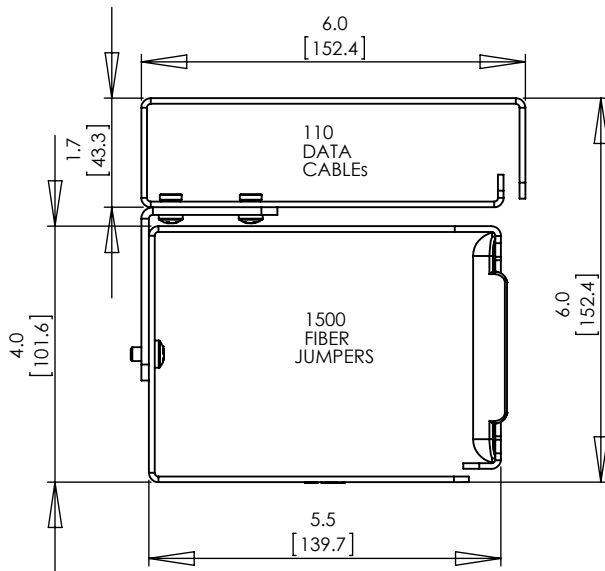
301058731
CCM, STD C



301079703
CCM, STD D

NOTE: ALL DIMENSIONS ARE IN INCHES [MM]
 THE CAPACITY NUMBERS LISTED ARE FOR 1.6MM OD SIMPLEX JUMPERS.
 FOR THE MAXIMUM NUMBER OF 2.0MM OD SIMPLEX FIBER JUMPERS MULTIPLY THE MAXIMUM BY 0.60.

TOP VIEW OF CCM ASSEMBLY CONTINUED SHOWING SIZE AND MAX CABLE CAPACITY



301054490
CCM WIDE A

NOTE: ALL DIMENSIONS ARE IN INCHES [MM]
THE CAPACITY NUMBERS LISTED ARE FOR 1.6MM OD SIMPLEX JUMPERS.
FOR THE MAXIMUM NUMBER OF 2.0MM OD SIMPLEX FIBER JUMPERS MULTIPLY THE MAXIMUM BY 0.60.

CCM INSTALLATION INTO (8) CHANNEL CABINET

4. INSERT TWO UNISTRUT CHANNEL NUTS INTO TOP LEFT AND BOTTOM LEFT UNISTRUT CHANNELS.

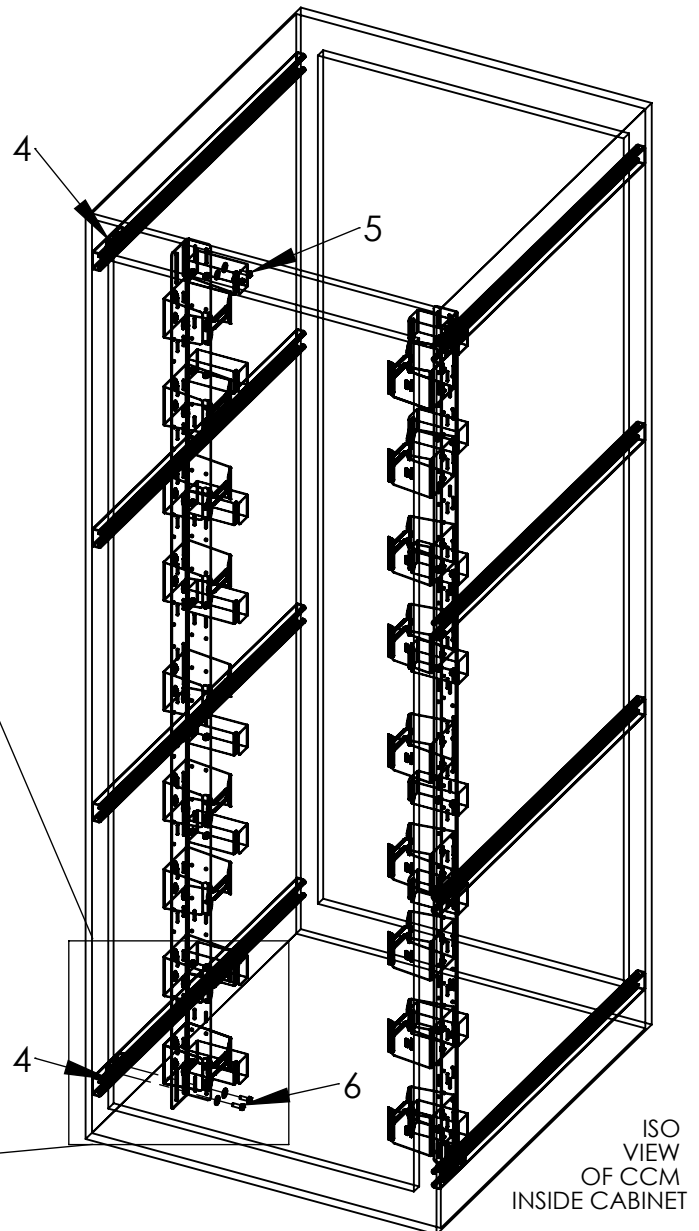
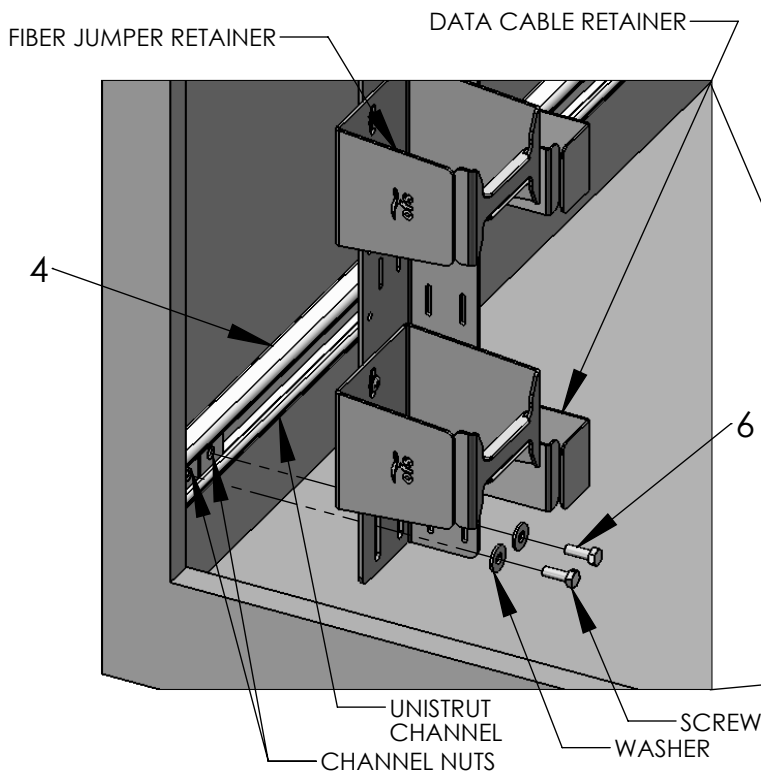
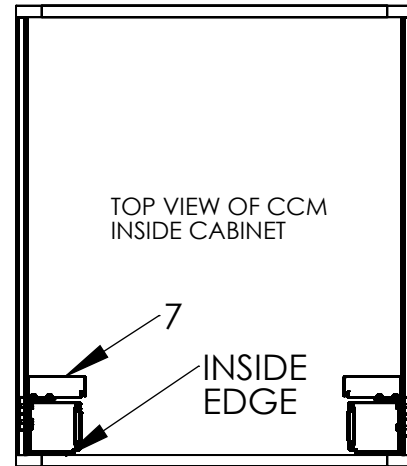
5. ATTACH THE LEFT CCM ASSEMBLY TO THE TOP UNISTRUT CHANNEL USING (2) 1/4-20 HEX HEAD SCREWS AND (2) 1/4 WASHERS. **DO NOT FULLY TIGHTEN SCREWS AT THIS TIME.**

6. FASTEN THE CCM TO THE BOTTOM UNISTRUT CHANNELS USING (2) 1/4-20 SCREW AND (2) 1/4 WASHER INTO EACH CHANNEL. **DO NOT FULLY TIGHTEN SCREWS AT THIS TIME.**

7. SLIDE THE CCM ASSEMBLY TO THE INSIDE EDGE OF THE OPENING. **FULLY TIGHTEN ALL FOUR SCREWS**

8. REPEAT STEPS 4-7 FOR THE RIGHT CCM ASSEMBLY.

NOTE: THE MIDDLE MOUNTING SLOTS SHOULD BE USED ACCORDING TO LOCAL PRACTICE.



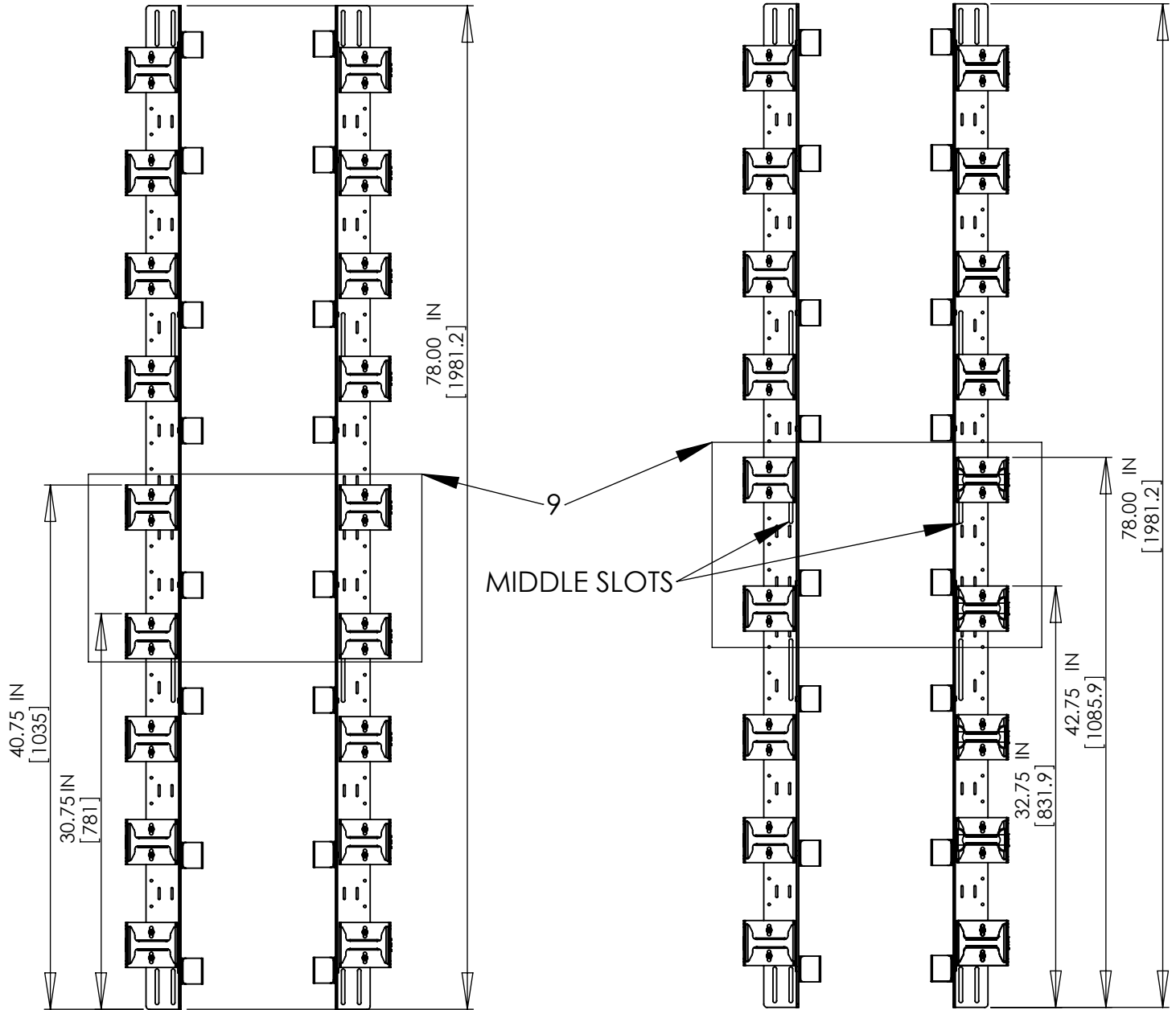
CCM INSTALLATION INTO (6) CHANNEL CABINET WHEN MIDDLE FASTENERS ARE REQUIRED - REPOSITION (4) FIBER RETAINERS

LEFT CCM ASSY

RIGHT CCM ASSY

LEFT CCM ASSY

RIGHT CCM ASSY



BEFORE
 CCM ASSEMBLY IS PROVIDED
 READY TO ATTACH INTO CABINETS
 WITH (8) CHANNELS.

AFTER
 TWO OF THE NINE JUMPER RETAINERS
 IN BOTH LEFT AND RIGHT CCM
 ASSEMBLIES ARE REPOSITIONED TO
 ATTACH INTO CABINETS WITH (6)
 CHANNELS WHEN MIDDLE FASTENERS
 ARE USED.

9. MOVE THE FOURTH AND FIFTH FIBER RETAINERS UP ONE SET OF MOUNTING HOLES, 2 INCHES. THIS WILL FREE UP THE MIDDLE SLOTS AND EVEN THE SPACING.

CCM INSTALLATION INTO (6) CHANNEL CABINET

10. INSERT TWO UNISTRUT CHANNEL NUTS INTO TOP LEFT AND BOTTOM LEFT UNISTRUT CHANNELS.

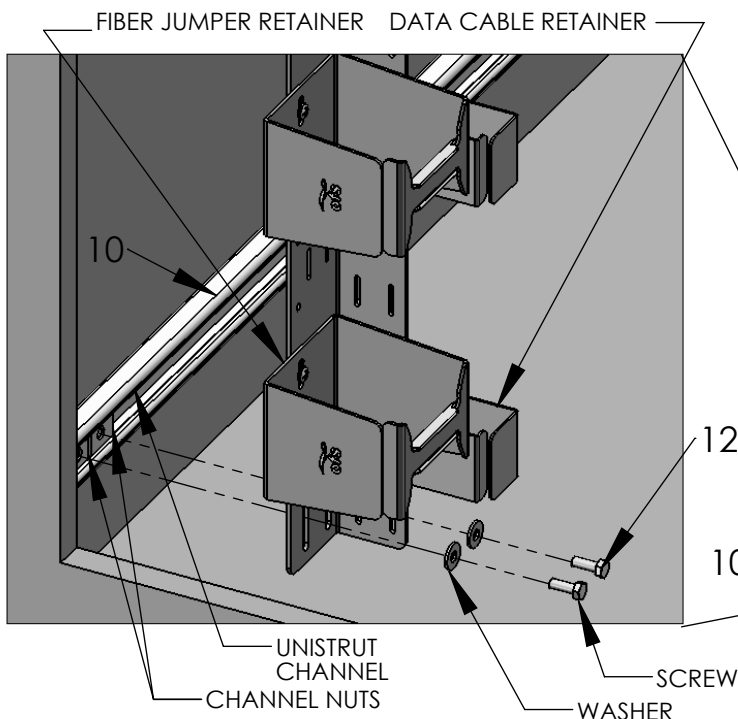
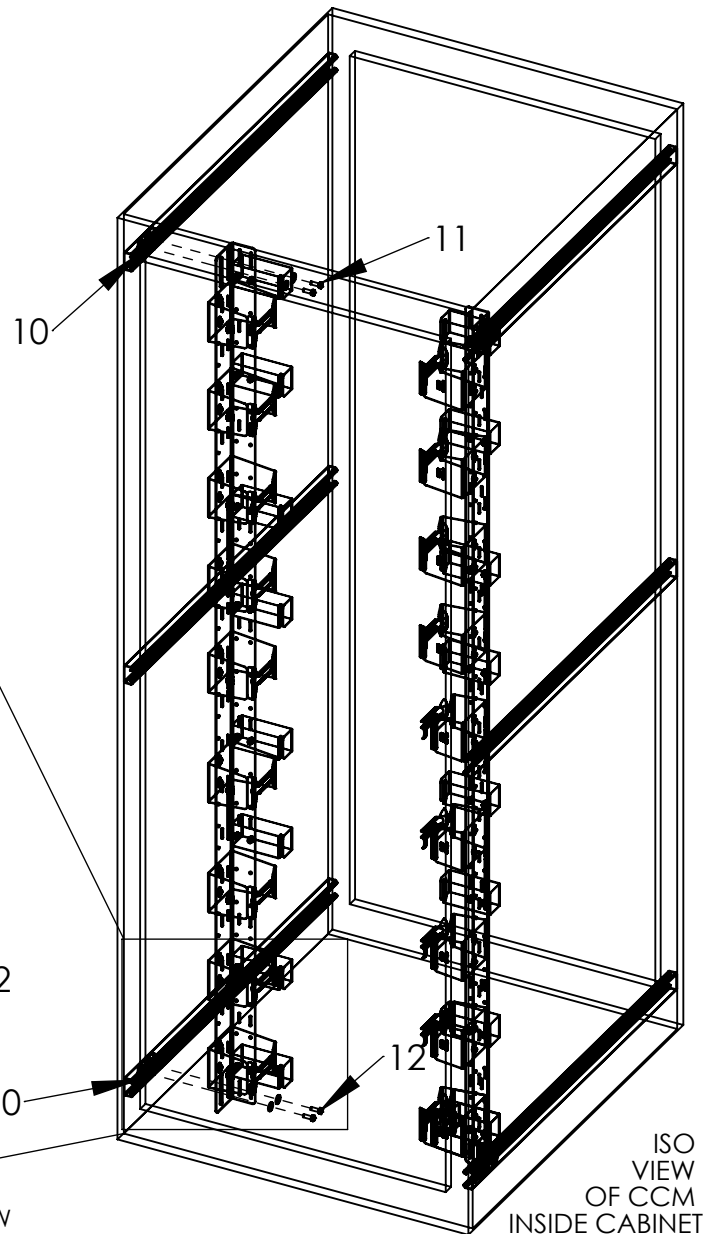
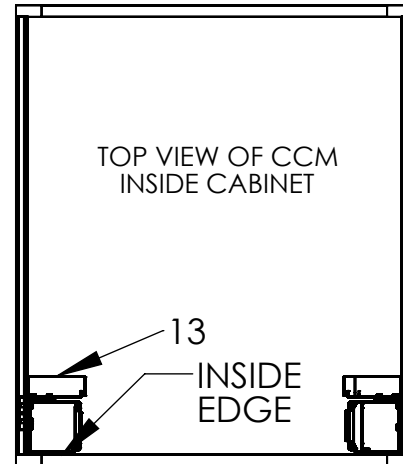
11. ATTACH THE LEFT CCM ASSEMBLY TO THE TOP LEFT UNISTRUT CHANNEL USING (2) 1/4-20 HEX HEAD SCREWS AND (2) 1/4 WASHERS INTO EACH CHANNEL. **DO NOT FULLY TIGHTEN SCREWS AT THIS TIME.**

12. FASTEN THE CCM TO THE BOTTOM LEFT UNISTRUT CHANNELS USING (2) 1/4-20 SCREWS AND (2) 1/4 WASHERS INTO EACH CHANNEL. **DO NOT FULLY TIGHTEN SCREWS AT THIS TIME.**

13. SLIDE THE CCM ASSEMBLY TO THE INSIDE EDGE OF THE OPENING. **FULLY TIGHTEN ALL FOUR SCREWS.**

14. REPEAT STEPS 10-13 FOR THE RIGHT CCM ASSEMBLY.

NOTE: THE MIDDLE SLOTS SHOULD BE USED ACCORDING TO LOCAL PRACTICE.



ROUTE CABLES

15. ROUTE THE FIBER JUMPERS
INSIDE THE FIBER RETAINERS.

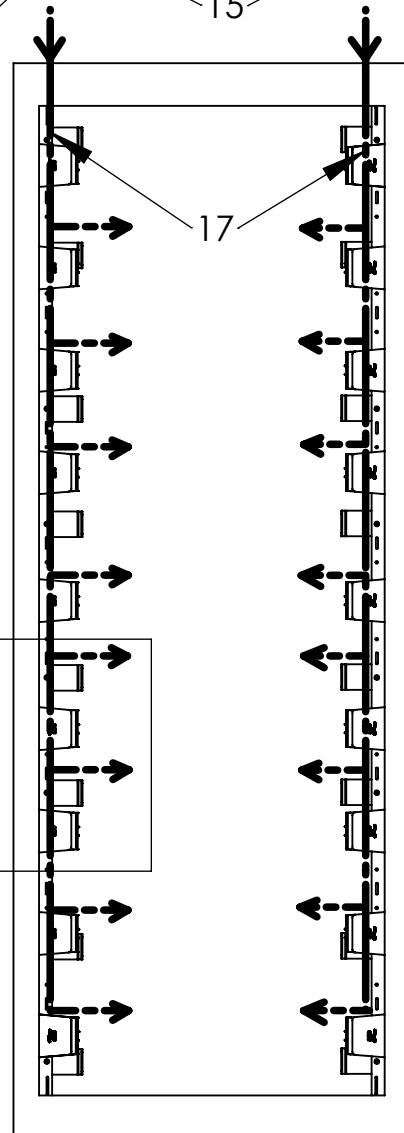
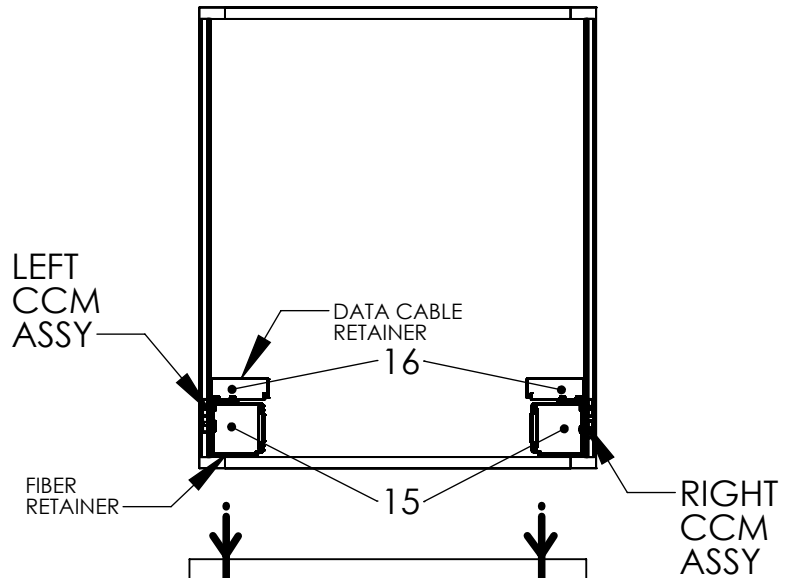
16. ROUTE THE DATA CABLES
INSIDE THE DATA CABLE
RETAINERS.

17. SHOWN IS A TYPICAL TOP
DOWN ROUTE OF BOTH THE
FIBER JUMPERS AND THE DATA
CABLES.

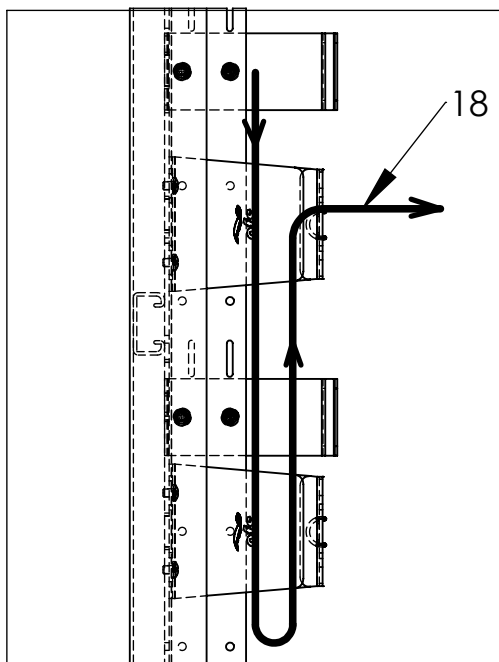
18. THIS IS A TYPICAL DETAILED
VIEW OF FIBER JUMPER ROUTES
SHOWING
STORAGE OF EXCESS JUMPERS.

NOTE: JUMPERS AND CABLES MAY
ENTER FROM EITHER THE TOP OR
THE BOTTOM OF THE CCM.

TOP VIEW OF CCM INSIDE CABINET



FRONT VIEW OF CCM INSIDE CABINET



NON-STANDARD SPECIAL APPLICATIONS FIBER JUMPER REAR/DATA CABLE FRONT

19. THE TABLE BELOW SHOWS THE MAXIMUM JUMPER RETAINER CAPACITIES WHEN 1.6MM OD SIMPLEX FIBER JUMPER IS PLACED IN THE REAR CABLE RETAINERS AND THE CAT 5/6 DATA CABLE IS PLACED IN THE FRONT JUMPER RETAINERS.

ITEM	CCM	1.6MM OD FIBER JUMPER IN REAR RETAINER	CAT 5/6 DATA CABLE IN FRONT RETAINER
1	301061743 CCM ETSI	145	49
2	301054482 CCM NARROW	255	144
3	301052296 CCM STD A	550	162
4	301054474 CCM STD B	1500	162
5	301058731 CCM STD C	900	162
6	103079703 CCM STD D	550	110
7	301054490 CCM WIDE A	725	192